

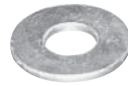
Assembly Instructions for the Spa & Classic Clinician series



Parts Included:



1 - Wrench



8 - Washers



8 - Nylock Nuts



4 - Main Legs w/extensions



1 - Table Top



1 - Shelf

- 1) Place the table top upside down on the floor.
- 2) Place the shelf upside down on top of the table skirt. (Fig. 1)

Each leg has a number by the top bolt that corresponds with a number on the inside corners of the table's base.

- 3) Place the top leg bolt through the metal corner bracket in one corner of the table skirt. (Fig. 1 inset) For flex top models, it may be necessary to raise the foot section to install the leg.
- 4) Lift the same corner of the table shelf and place the bottom leg bolt through the metal corner brackets on the shelf.
- 5) Place a flat washer and nut on each bolt. Do not tighten. (If cabinet is included, please go to step 1 below.)
- 6) Repeat steps 3-5 on remaining corners, installing the remaining three leg assemblies to the skirt and shelf.
- 7) Using the included wrench, or a 1/2" wrench, tighten all eight nuts securely. When tight, assembled unit should look like figure 2.

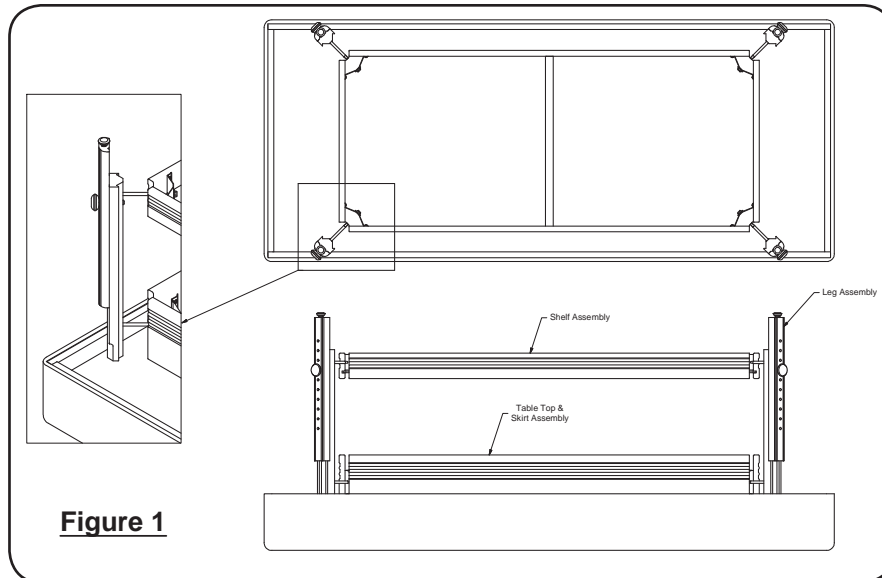


Figure 1

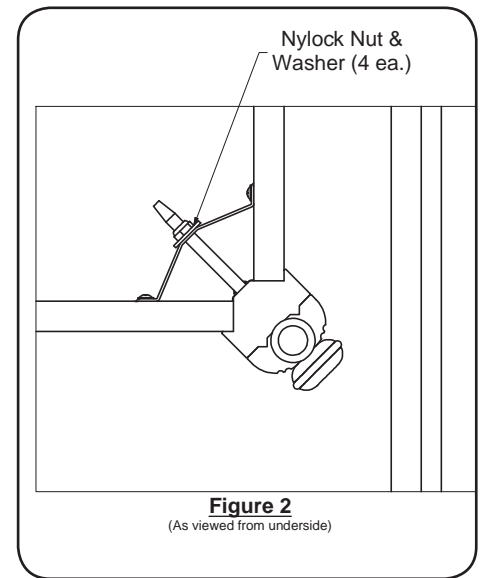


Figure 2
(As viewed from underside)



CABINET INSTALLATION

STEP 1

Install both end panels in the outer track. Insert into top track first. Then lift up into the bottom track. NOTE: the top track has a deeper slot.



NOTE: It will be necessary to lift the bottom shelf to get the bottom end panel into the bottom slot.

STEP 2

Tighten all four nuts on the bottom shelf, and upright the table with assistance from another person.



STEP 3

After table is assembled and ready for the doors to be installed with the table in the upright position. Place doors in cabinet as they will be installed. (Front door on top)



STEP 4

Install front door in top front track by lifting door in and up to allow bottom of door to be lowered into lower track. NOTE: the upper track has a deeper groove. Make sure you hold up on the door until you are ready to lower it into bottom track.



STEP 5

Lower front door into front lower track. Make sure you are in the front track.



STEP 6

Install rear door in top rear track by lifting door in and up to allow bottom of door to be lowered into lower track. NOTE: you will need to offset the door knob the opposite direction. Make sure you hold up on the door until you are ready to lower it into the bottom track.



STEP 7

Lower rear door into the rear lower track. Slide doors back & forth to insure easy movement. Repeat on other side.



CAUTION

Maximum Working Load Rating:
550 LBS. (250 KG.)



European Compliance for CE Information:
Emergo Europe
Molenstraat 15
The Hague, 2513 BH Netherlands
info@emergogroup.com

923 East Wellspring Rd., New Freedom, PA 17349 www.oakworks.com
Toll Free Phone: 800.558.8850 Phone: 717.235.6807 FAX: 717.235.6798

Made in the USA
with US & imported parts

OAKWORKS
Bodies Talk. We Listen.
Part no. MMMNST0004 rev. 09.28.09